

PRODUCT SPECIFICATIONS

AMP[®]

Project Name _____ Date _____

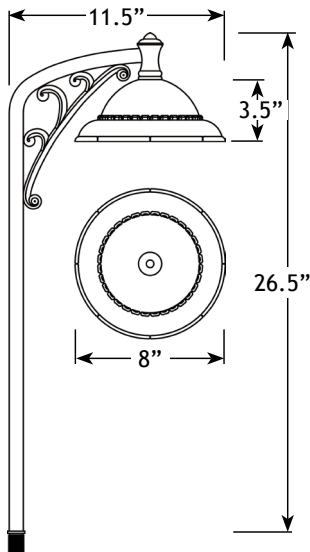
Type or Model _____ Qty _____

AMP[®] Low Voltage Landscape Lighting NovelPro™ Path & Area Light- APL- 3021-4-B-BZ

Product Description

The AMP[®] NovelPro™ Path Light is a professional grade, solid brass fixture with an elegant and ornate appearance. It complements most architectural and landscape styles and provides wide, evenly dispersed illumination, ideal for walkways and landscaped areas. The offset shade configuration allows for the stem to be set back while the illumination projects forward from the stem. This is good for situations where you need to mount the luminaire beyond the edge of a pathway or garden. The AMP[®] NovelPro Path Light is covered by a lifetime warranty.

Product Dimensions



Features & Benefits

- ▶ The offset shade configuration allows for light to be projected forward for a much larger lit area.
- ▶ Silicone plug at lead wire exit prevents ground moisture and insects from entering luminaire through the stem.
- ▶ Polycarbonate shatter-resistant lens.



Specifications

- ▶ **Construction:** Brass
- ▶ **Finish:** Bronze
- ▶ **Lead Wire:** 18AWG
- ▶ **Mounting (included):** 10" Hammer Stake with cutout for wire exit
- ▶ **Lens:** Polycarbonate dome lens
- ▶ **Light Source (sold separately):** Bi-Pin (LED or Halogen)
- ▶ **Operating Voltage:** 12VAC
- ▶ **Powered by:** AMP's Low Voltage Transformer

Warranty

Lifetime Warranty

Certifications

